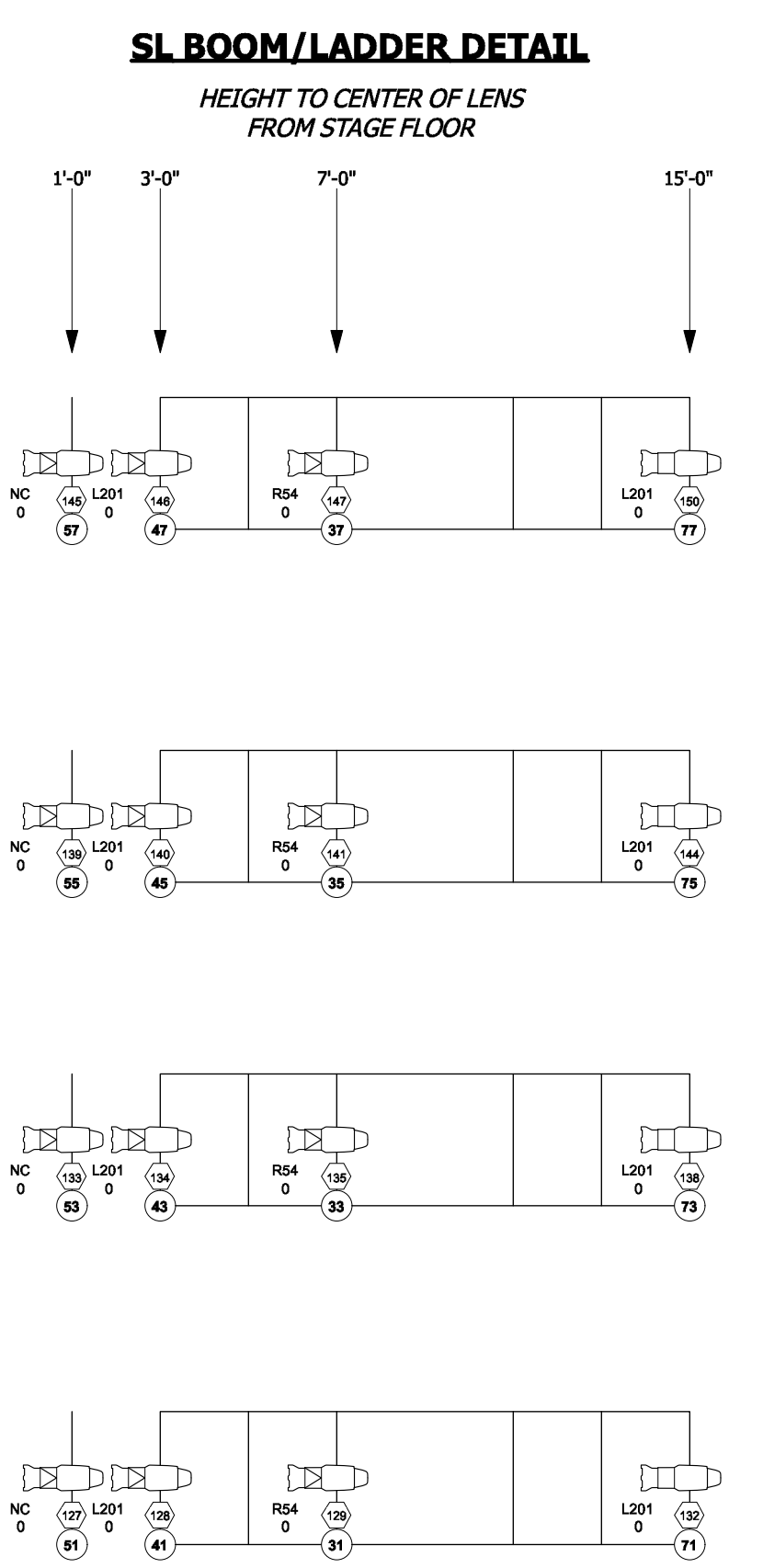


PIPE/TRUSS SCHEDULE

| |
|-----------------------|
| 35'0": CYC ELECTRIC |
| 33'0": SPARE PIPE |
| 31'3": WHITE RP |
| 30'0": BLACK GR/WH |
| 30'0": LEGS #5 |
| 29'0": CYC BORDERS |
| 27'4": #5 ELECTRIC |
| 23'0": #4 ELECTRIC |
| 22'0": LEGS #4 |
| 14'0": #3 ELECTRIC |
| 13'0": LEGS #3 |
| 9'6": #2 ELECTRIC |
| 6'6": LEGS #2 |
| 1'0": #1 ELECTRIC |
| 0'3": LEGS #1 |
| 0'0": PORTAL BORDER |
| -1'3'6": FOH ELECTRIC |



KEY TO INSTRUMENTATION

Spare Inventory
41 S4 Bodies

- ETC SOURCE 4 19" 6 Barrels
- ETC SOURCE 4 26" 16 Barrels
- ETC SOURCE 4 36" 11 Barrels
- ETC SOURCE 4 50" 16 Barrels
- ETC SOURCE 4 PARnel
- SELECON HUI 3 CELL CYC-OVERHEAD
- SELECON HUI 3 CELL CYC- GROUND
- 33-42 DIMMER BREAKOUTS
- 7.8 SPARE DIMMERS

LEGEND

- 77881 TEMPLATE
- L161 COLOR
- 7 UNIT No.
- 23 DIMMER
- 54 CHANNEL

NOTES

- All SOURCE 4 instruments lamped with 575w WX
- All Cyc HUI Units Lamped at 1kw
- 57 spare dimmers overall

| | |
|---|---|
| Show Title | Dates |
| Choreographer/Company | |
| Lighting Designer | Contact |
| ODC Theater House Plot - May 2015 Scale: 1/4" = 1'0" | |
| ODC DANCE \ SCHOOL \ THEATER | B.Way Theater 3153 17th Street San Francisco, CA odcdance.org Tel (415) 863-6606 Fax (415) 863-9833 |
| | Operations Manager: Mica Pirie 415-549-8532 micap@odctheater.org Technical Director: Jason Dinneen 415-549-8540 jason@odctheater.org Original Drawing by David Robertson, 11/27/10 DBR Revised by Tony Shayne, 5/27/15 |